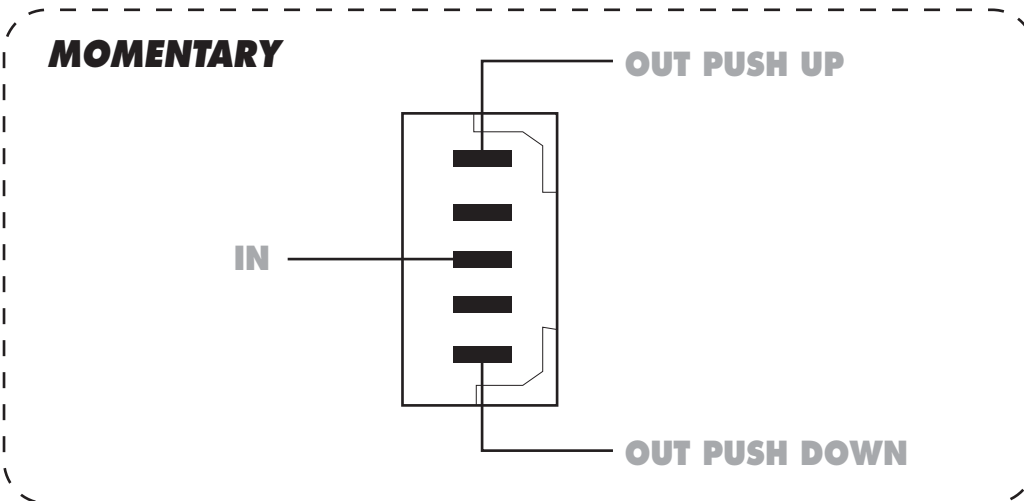
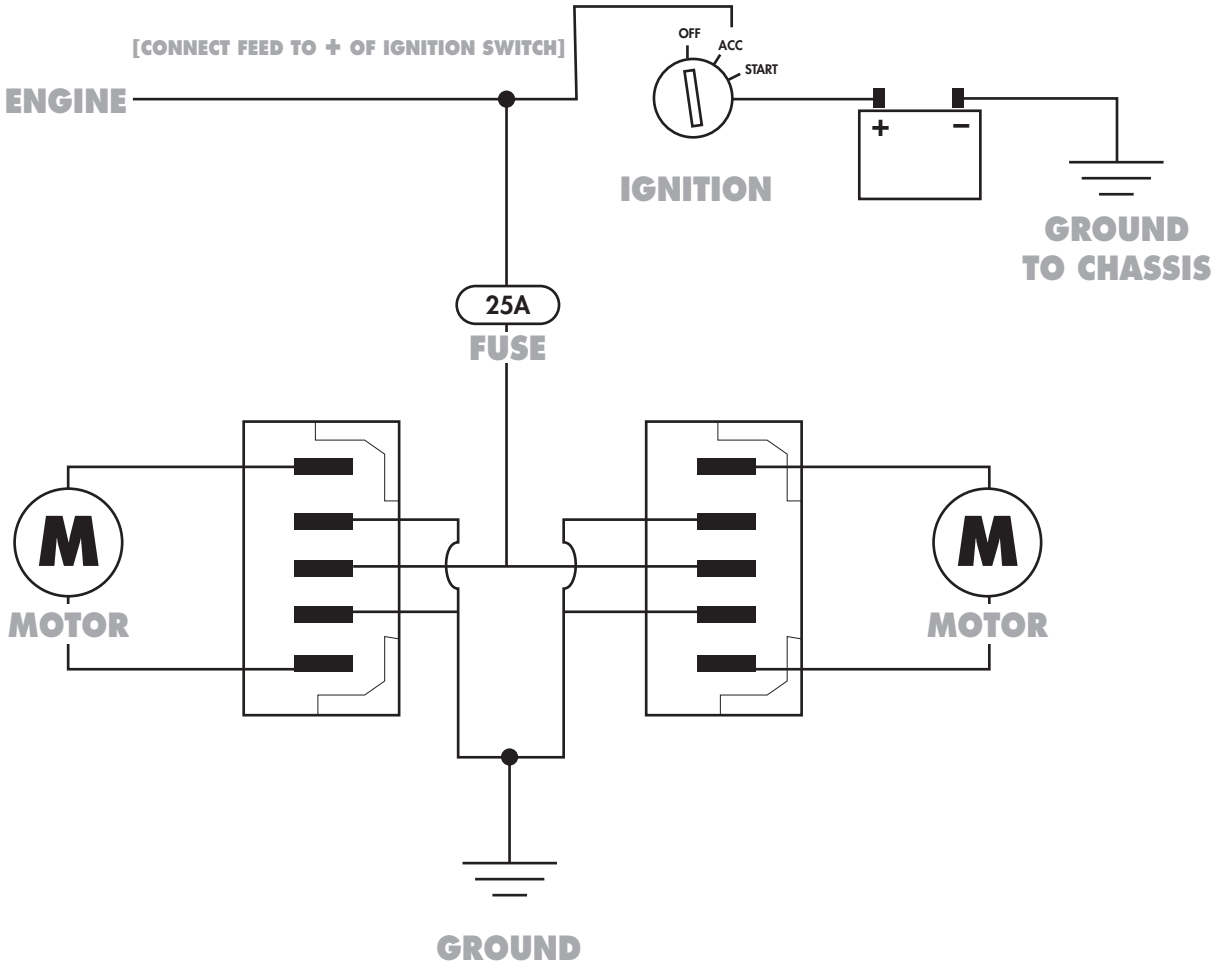


5 PIN SWITCH - KICSW1, KICSW2, KICSW3, KICSW4, KICSW5, KICSW6

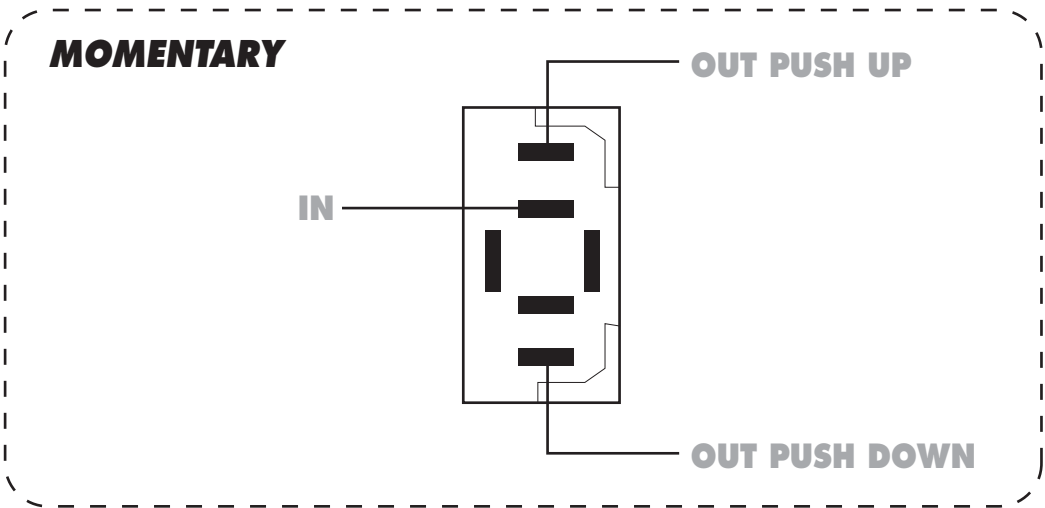
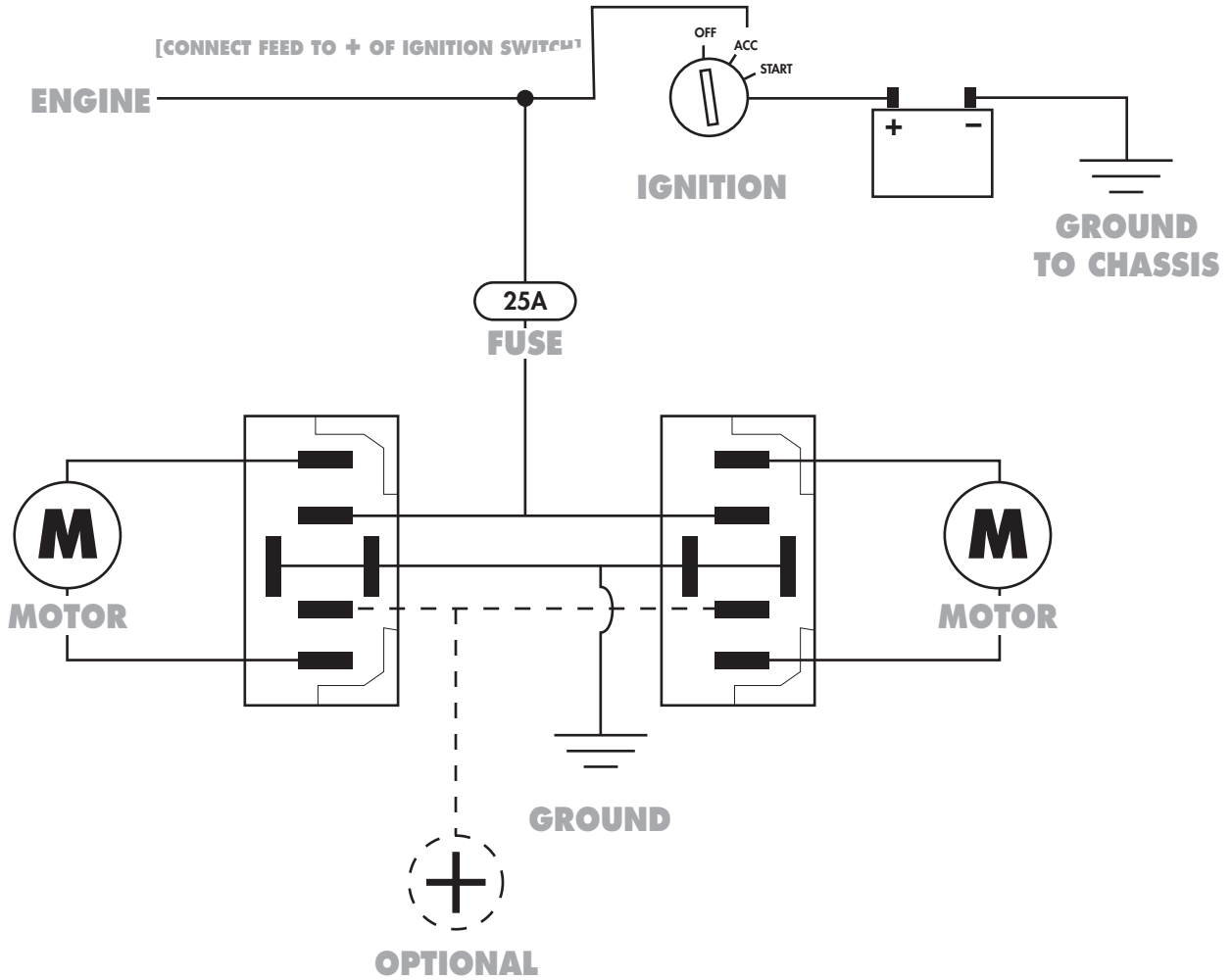
REVERSE POLARITY



USER GUIDE AND INSTALLATION MANUAL ELECTRIC ROCKER SWITCHES

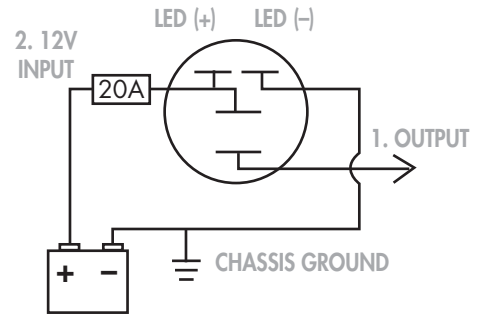
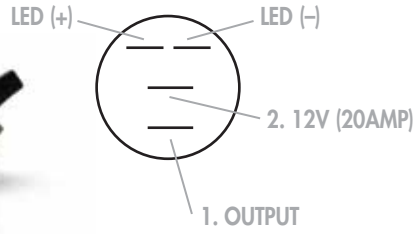
6 PIN SWITCH - KICSW8, KICSW9, KICSW9B, KICSW9BF, KICSW10, KICSW11, KICSW12, KICSW13, KICSW14

REVERSE POLARITY

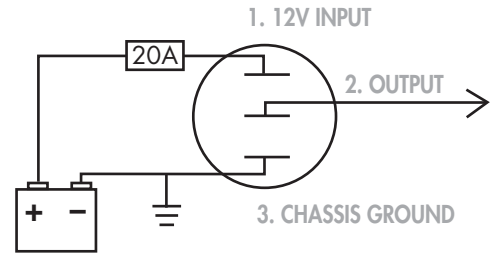
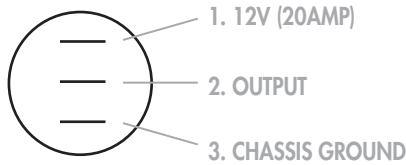


USER GUIDE AND INSTALLATION MANUAL ELECTRIC ROCKER SWITCHES

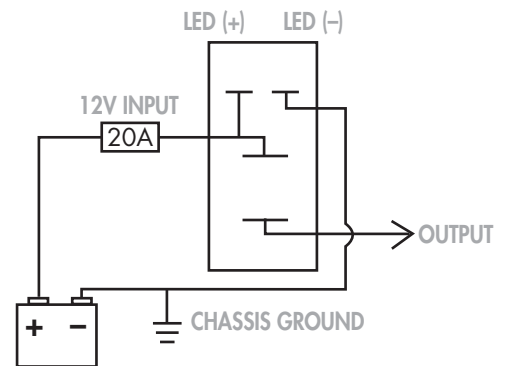
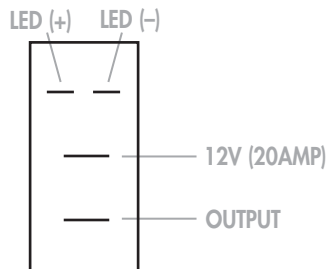
KICSW15, KICSW18, KICSW19



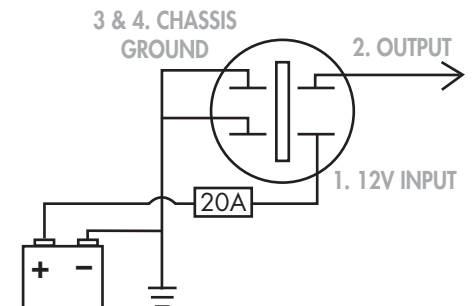
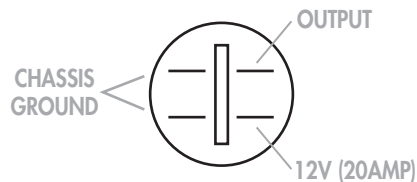
KICSW16, KICSW31



KICSW29



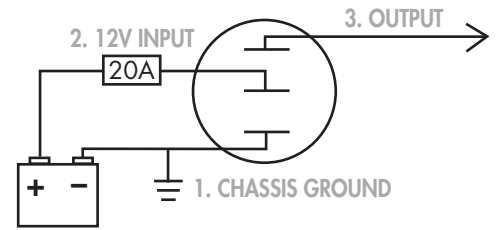
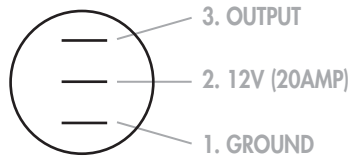
KICSW32



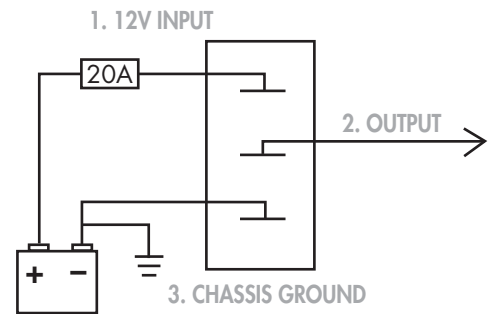
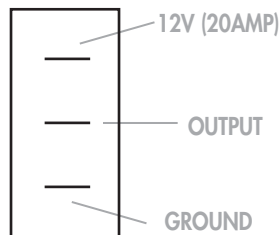
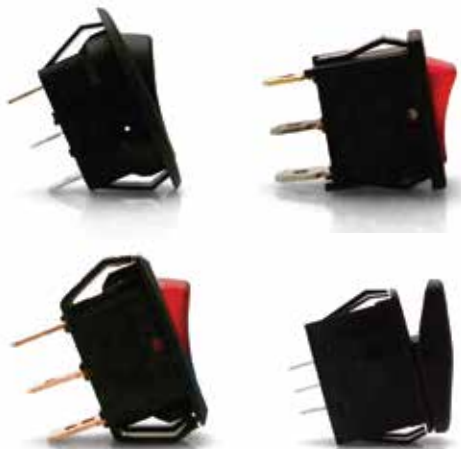
USER GUIDE AND INSTALLATION MANUAL ELECTRIC ROCKER SWITCHES



KICSW33



KICSW17, KICSW25, KICSW26, KICSW27, KICSW28, KICSW30, KICSW34



KICSW20, KICSW24, KICSW35

