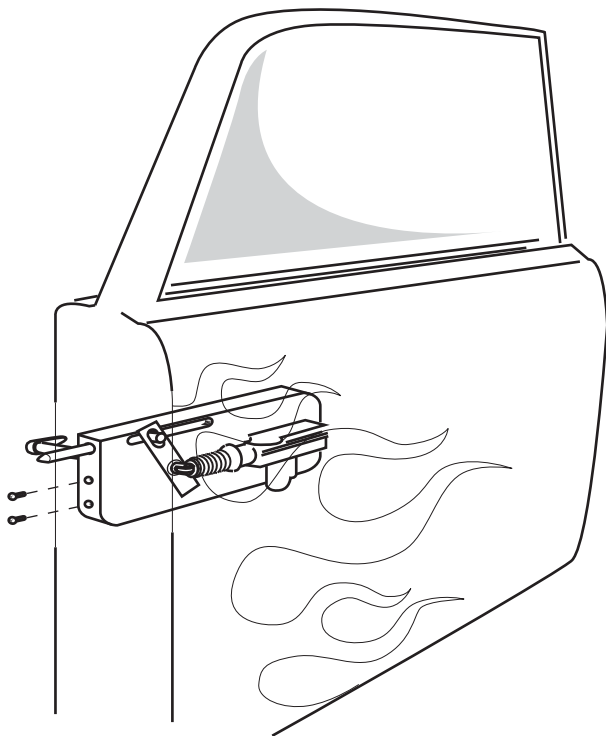


USER GUIDE AND INSTALLATION MANUAL

SUICIDE DOOR SAFETY LOCK System

- AUTDL1000** - manual operation
- AUTDL2500** - automatic operation
- AUTDL2550** - deluxe automatic operation



Installation

- 1 Mount the suicide door safety unit on the door with hardware as shown in diagram to the left (hardware is not supplied). You may need to drill mounting holes on your door. You will also need to drill holes for the sliding locking pin in your door and door jamb.
- 2 Wire up the actuator. Please refer to wiring diagram. See back side.
- 3 Repeat the above steps for the other door to complete installation.
- 4 See optional accessories listed below for ways to enhance your suicide door safety lock system.

NOTE: Grease the mechanical pins prior to use.

Optional Accessories

3 Position Rocker Switch



Use this high quality illuminated switch to operate your suicide door safety system.

Part Number: AUTSW1

Ignition Control Module



Add ignition controlled locking to your suicide safety locks. The IS1000 will unlock your doors when the ignition is switched to the "OFF" position and automatically lock the doors when the ignition is in the "ON" position.

Part Number: AUTIS1000

Remote Kit



Several to choose from.

Please call for details.

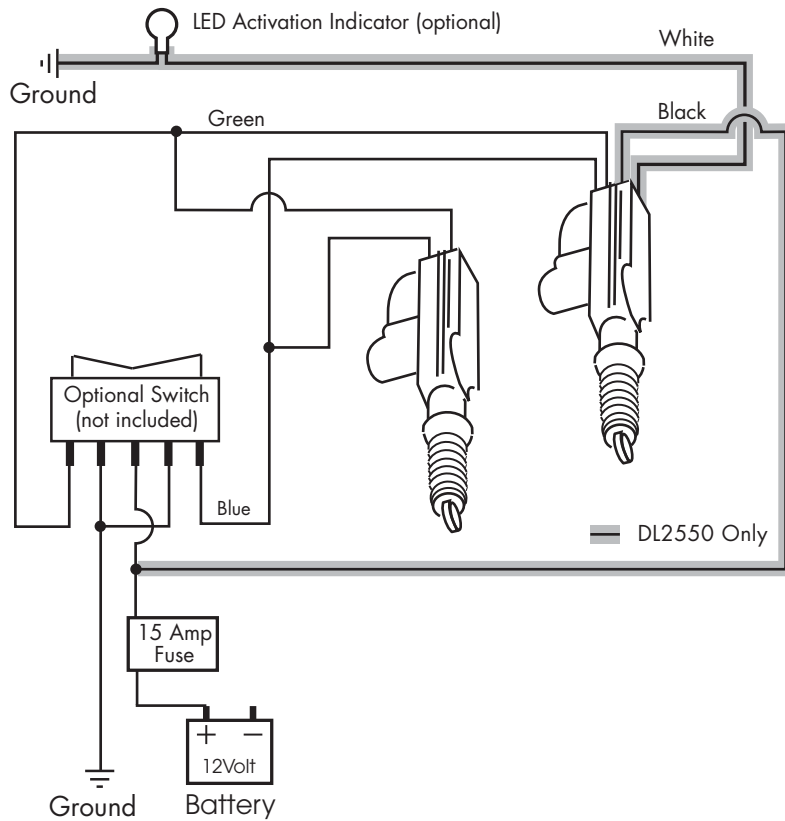
Adjustable Cable Clamp



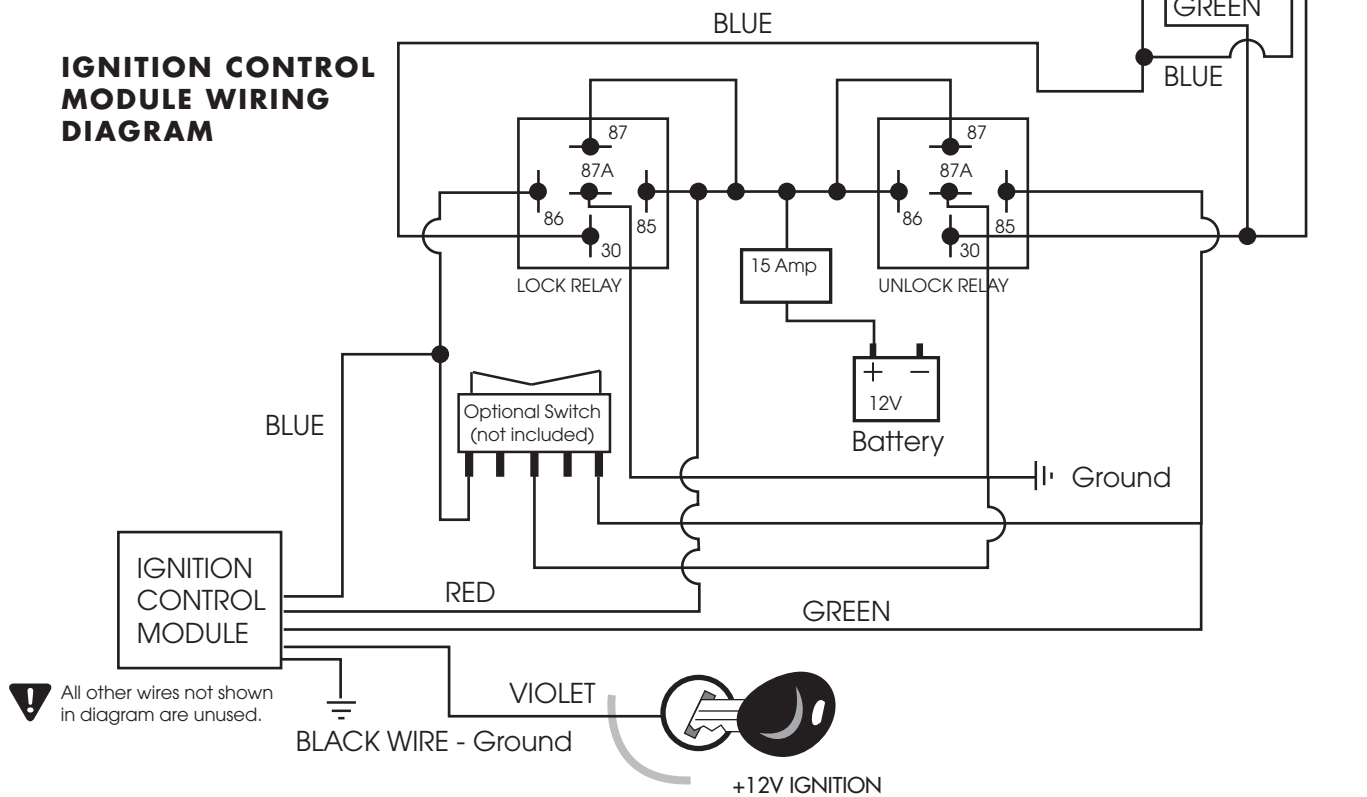
Autolöd's™ super heavy-duty adjustable cable clamps offer a "clinging" ball bearing that snugs up to the cable resulting in a solid clean grip without fraying or damaging the cable.

Part Number: AUTADJCBL

WIRING DIAGRAM



IGNITION CONTROL MODULE WIRING DIAGRAM



⚠ All other wires not shown in diagram are unused.