

AUTSVPRO



Autoloc Shaved Door Kits set the standard for shaved doors done right, and your kit will provide you with years of flawless operation, however the kit must be installed properly. Follow the guidelines below and all instructions on the following pages closely.



Mount in Dry Location



Install Circuit Protection



Good Ground Required



Use High Amp Relay



Leave Slack in Cable



Mount your solenoid in a DRY location. We recommend using the Autoloc Solenoid Relocation Kit (AUTSVAEX) to mount the solenoid inside the vehicle.



Mount the relay in a dry location. Only use a high-AMP approved relay. (AUTRA1000, AUTRA8000 Relay)



Make sure the mounting bracket has a good chassis ground.



For optimal performance make sure to leave slack in the cable. Do not make the cable too tight!



Make sure to always protect your connections to the battery, using the appropriate fuses or circuit breakers.

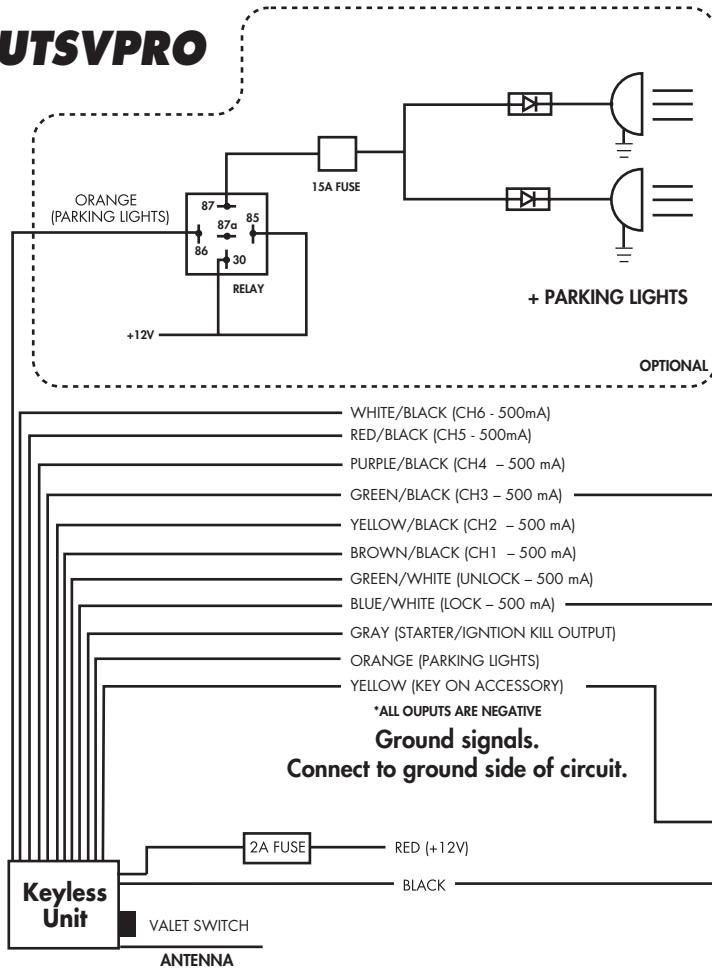
PART #	PROTECTION
AUTSL35	30 Amp Fuse
AUTSL50	40/50 Amp CB
AUTSL75/100	60/70 Amp CB

CB = Circuit Breaker

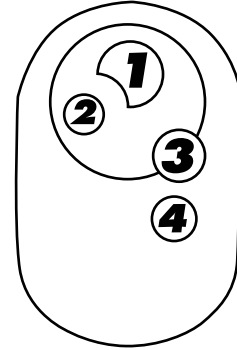
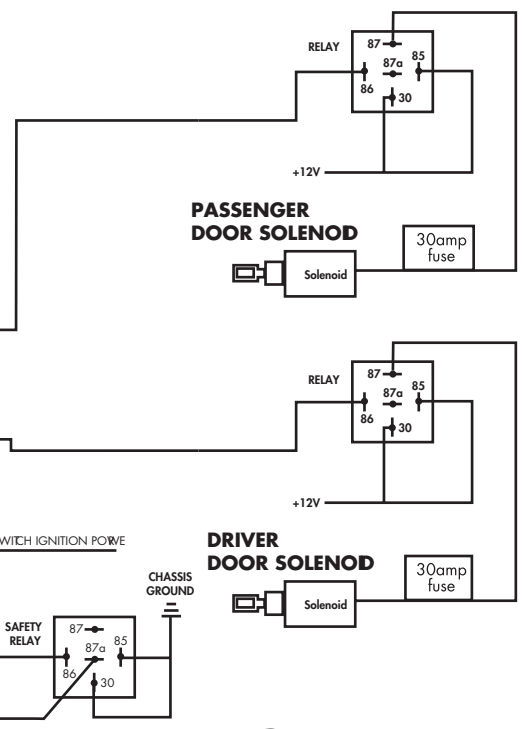
USER GUIDE AND INSTALLATION MANUAL SHAVE DOOR HANDLE SYSTEMS



AUTSVPRO

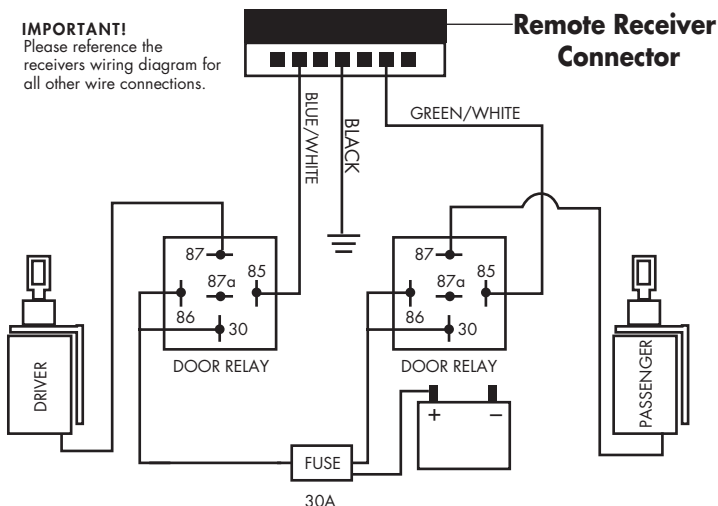


IMPORTANT NOTICE: Upon completion of installation, you may have extra unused wires on the wiring harness. Do not be concerned. These wires are used for features available on other models.



MULTI-FUNCTION KITS

IMPORTANT!
Please reference the receivers wiring diagram for all other wire connections.

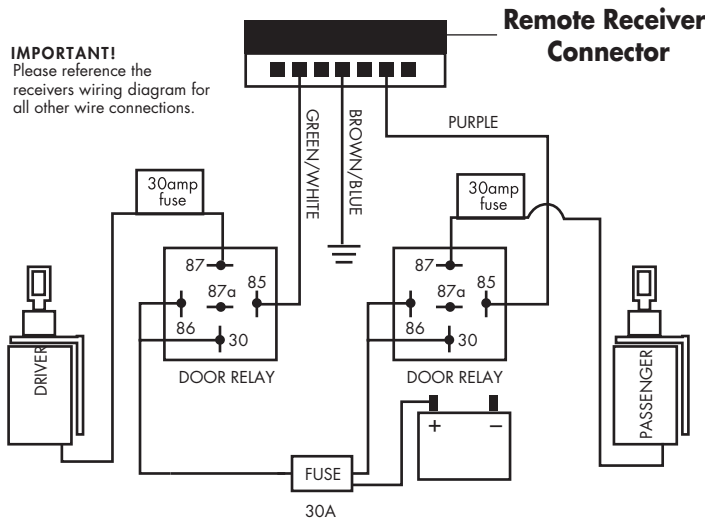


Button	Function	Condition
1	Drivers Door	Anytime
2	Passengers Door	Anytime
3	1st channel output	Anytime
4	2nd channel output	Anytime
1 + 3	3rd channel output	Anytime
2 + 4	4th channel output	Anytime
1 + 2	5th channel output	Anytime
3 + 4	6th channel output	Anytime

AUTSVPRO

ALARM KITS

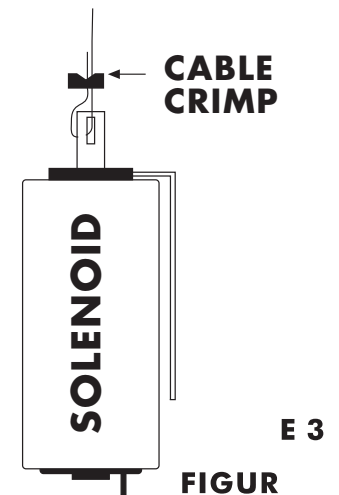
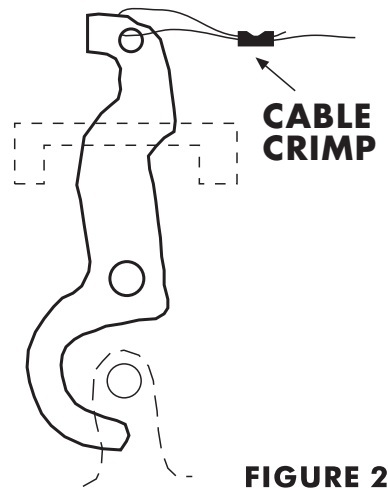
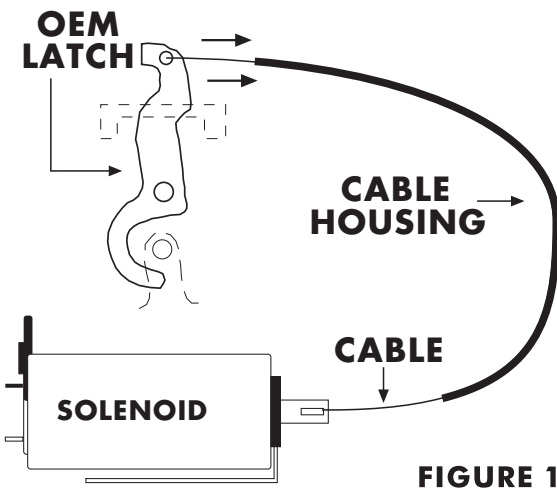
IMPORTANT!
 Please reference the receivers wiring diagram for all other wire connections.



IMPORTANT NOTICE: Upon completion of installation, you may have extra unused wires on the wiring harness. Do not be concerned. These wires are used for features available on other models.

SOLENOID INSTALLATION

1. Using the 2 standard screws and washers provided, attach the bracket to the solenoid. Install the smaller screw and washer on the solenoid's rear terminal.
 2. Remove the door's interior panel to locate the factory latch. Clean and lubricate the latch.
 3. Using the hex bolts, mount the solenoid to a dry location. Ideally you want to mount the solenoid so you have a direct pull from the door latch to the solenoid. If you are unable to mount the solenoid with a direct pull, relocate the solenoid. In some cases you will need to use the cable extension kit (SVAEX) to redirect the cable from the latch to the solenoid.
 4. Create a loop with the cable and secure with the aluminum crimp around the door latch. (see figure 2) Run the cable through the door while avoiding all moving parts to the solenoid.
 5. Run the cable through the eye of the solenoid, create a loop, and secure with the aluminum crimp. (see figure 3)
- NOTE:** For best performance you'll want to leave a little slack in the cable.



AUTSVPRO

TIPS&TRICKS for your solenoid wiring

- Pole 85 – goes to negative trigger activation wire from remote unit
- Pole 86 – goes to 12 volts constant fused at 1 amp minimum / 5 amps maximum
- Pole 87 – goes to 12 volts constant (*see below)
- Pole 87a – optional (**see below)
- Pole 30 – output to solenoid

- * Directly from the battery, use 10 gauge minimum / 8 gauge maximum wire , use a 15 to 20 amp circuit breaker within 18 inches of the battery
- ** Optional input from a high current back up button (AutoLoc part number: AUTS7)

*** Solenoid bracket should be grounded from the bracket to the kick panel area using the same size/gauge power wire as used to bring the power into the solenoid (a door is not a reliable ground point)

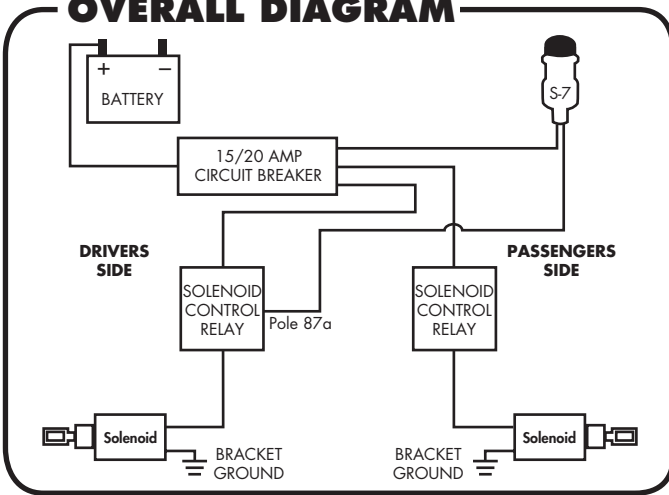
OPTIONAL SAFETY RELAY

Safety relay wiring (THIS DIAGRAM WILL PROHIBIT THE SOLENOIDS FROM OPERATING ANYTIME THE KEY IS IN THE ON POSITION)

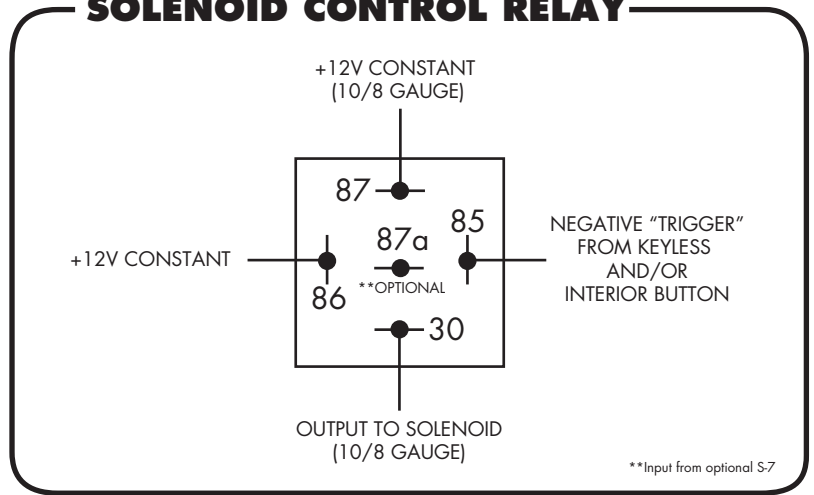
- Pole 85 – connects to ground
- Pole 86 – connects to the ignition or accessory wire
- Pole 87 – not used
- Pole 87a – connects to 12 volts constant fused at 5 amps maximum
- Pole 30 – 16 gauge wiring to pole 86 of each relay (solenoid control relays)

*OPTIONAL - an emergency release cable is recommended for additional fail safe security (recommended to be installed on the passenger door)
 (AutoLoc part number: AUTSVKRD)*

OVERALL DIAGRAM



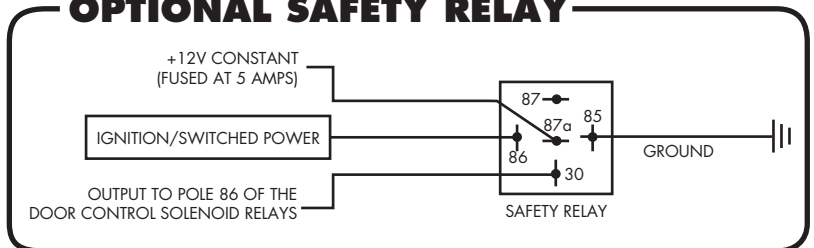
SOLENOID CONTROL RELAY



****AUTS7 INSTRUCTIONS**

From circuit breaker to one pole on AUTS7
 Second pole of AUTS7 to Pole 87a of solenoid control relay

OPTIONAL SAFETY RELAY





Instructions

New & Old

Search our system for the latest version of instructions & old ones too!



One Spot

Look No Further

All of the product information you need is in one spot.



Updates

Be In The Know

Get notifications for product changes, recalls, technical data & more!