

INSTALLATION INSTRUCTIONS FLAT GLASS POWER WINDOW KIT

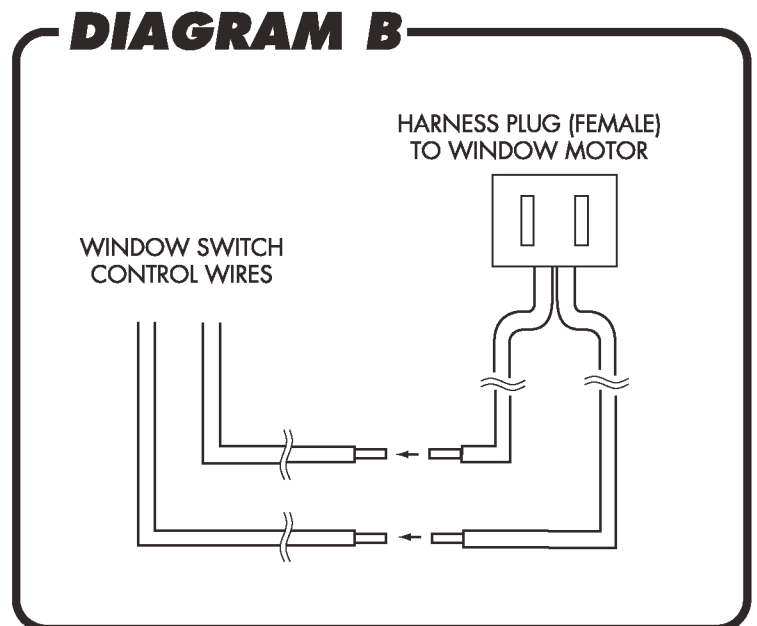
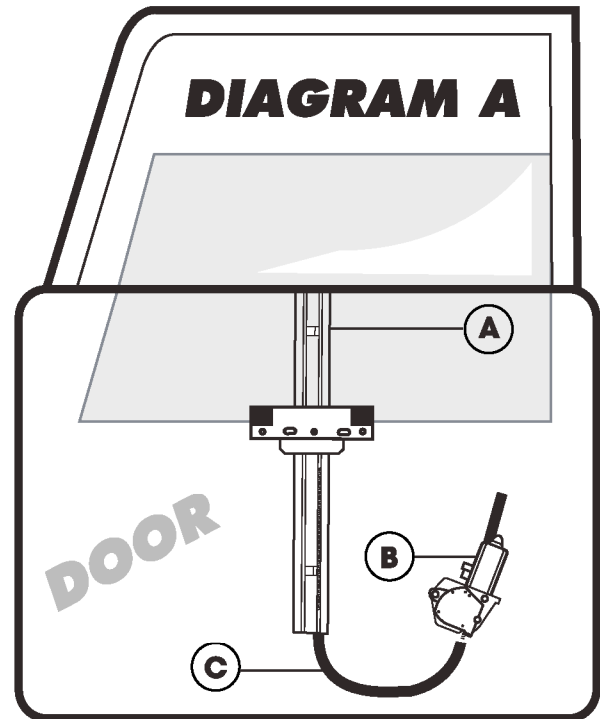
MOUNTING POWER WINDOW UNIT

- 1 Center the track and mount it to the the door at a 90° angle to the ground.
- 2 Situate and mount the motor using existing holes or drilling new ones.
- 3 The unit is flexible, but it does have limits. When mounting the motor, be sure there are no creases in the tubing.

*NOTE: STANDARD KIT DOES NOT INCLUDE RELAY, RELAY SOCKET, FUSES, OR ADDITIONAL WIRING. FOR MORE INFORMATION, CONTACT YOUR SALES REP.

WIRING POWER WINDOW UNIT * DELUXE KIT ONLY

- 1 Run the wire-loom across the underside of the dash and tie down with cable ties. Note. The group of four wires runs to the driver's side and the group of three wires runs to the passenger side.
- 2 Connect the power wire (RED) into a switched power source, preferably the keyed ACC. Note: Using a switched power source allows the window units to only work when the key is in the ON position.
- 3 Connect the ground wire (BLACK) to a clean chassis ground point.
- 4 Run wires into the door through the existing door looms. If this is not possible then holes should be drilled in the doorjamb and additional door looms used. It is important to use door looms to prevent the wires from becoming chaffed and shorting.
- 5 Connect the wires into the provided plugs (as shown in Diagram D), matching the wire colors with the corresponding female plug.
- 6 Mount the switches in an appropriate place on door panel. Optional switch mounting cases may be used to provide a stock look. For more information, contact your AutoLoc™ sales rep.
- 7 Connect wires to the motor assembly. Use provided wire extension if needed. Be sure keep the wiring away from any moving parts.
- 8 Connect the wire-loom to the switch assembly.
- 9 Turn ignition key to the on position and test your power window system



INSTALLATION INSTRUCTIONS FLAT GLASS POWER WINDOW KIT

DELUXE KIT WIRING

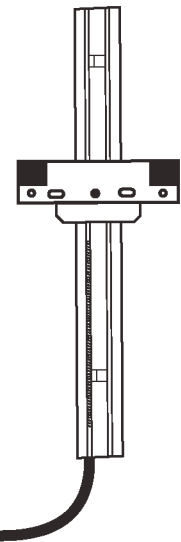
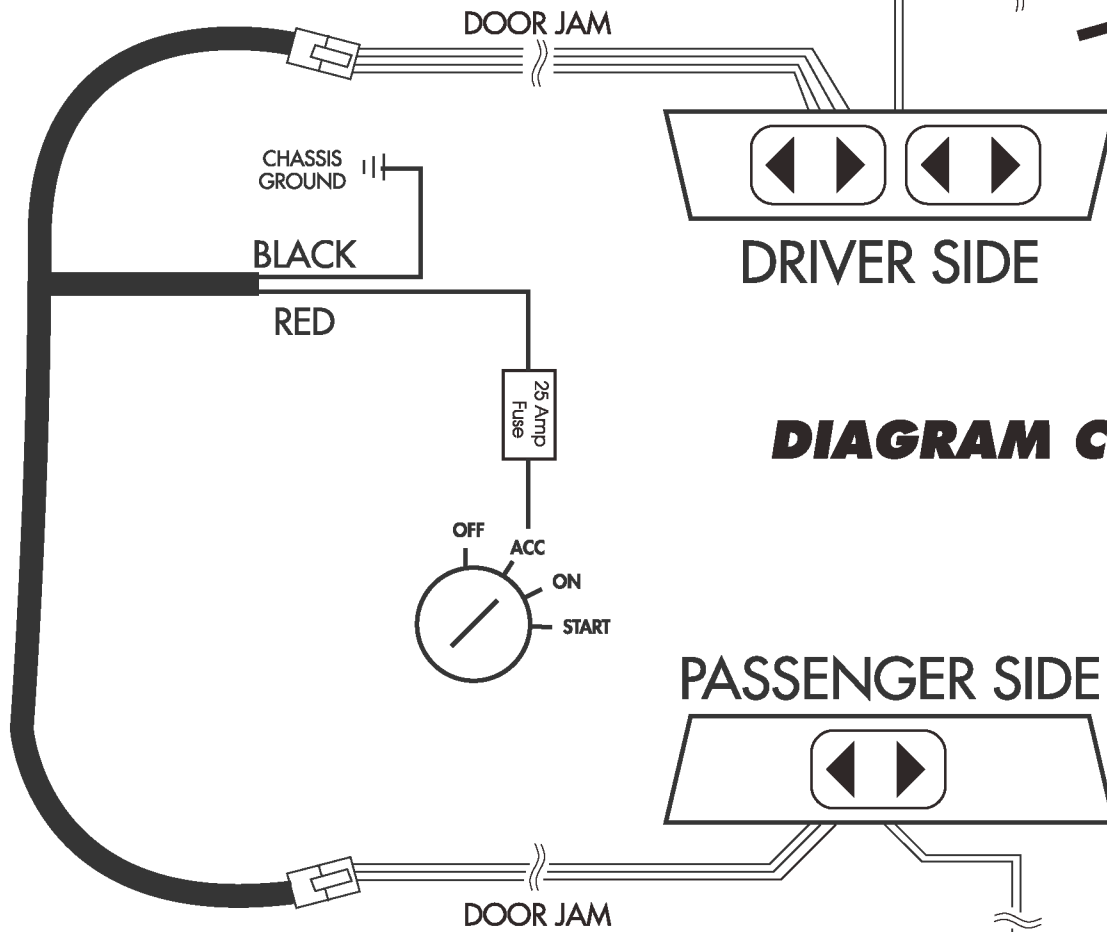
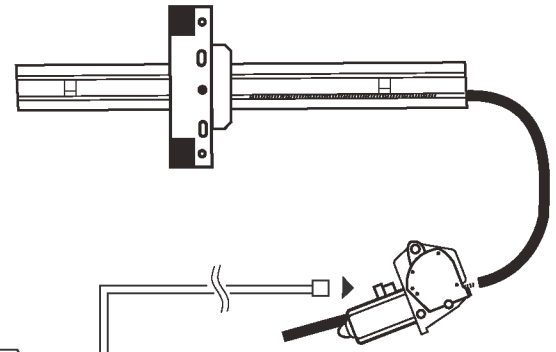


DIAGRAM D

