



350 S. St. Charles St. Jasper, In. 47546

Ph. 812.482.2932 Fax 812.634.6632

www.ridetech.com

Part # 30142000
2000 Series RidePro 2 Way Compressor System
3 Gallon Tank – Analog Gauges

Components:

1	31920020	Air compressor
1	31192500	RidePro 2 Way analog control panel with rocker switches (Black Face)
1	31913100	3 gallon aluminum tank
1	31932501	RidePro 2 Way valve block
1	31980005	Pressure switch – 135 On / 150 Off

Wiring & Hardware:

1	90001924	Fuse holder
1	90001922	20 Amp fuse
1	31900036	Wiring harness - Control panel to valve
3	99104001	10-24 x 1" phillips screw
3	99102002	10-24 Nylok nut
3	99103001	#10 SAE flat washer
1	90001916	#10 x 5/16 ring terminal
1	90001913	12-10 butt connector
2	90001918	Female spade connector
1	31900022	30 amp relay

Airline & Fittings:

2	31940002	1/4" DOT airline - 30 ft. roll - valve block to gauges
1	31940000	1/8" DOT airline - 25 ft. roll - valve block to gauges
1	31952150	1/8" npt x 1/4" tube female straight - compressor
1	31957003	2" Brass Nipple - compressor
4	31954201	1/4" npt x 1/4" tube Elbow airline fitting
5	31954000	1/4" npt x 1/4" tube Straight airline fitting
2	31952000	1/8" npt x 1/8" tube Straight fitting - manifold to gauge fitting
1	31957004	1/4" npt plug - plug unused supply port
2	31954400	1/4" airline T - DOT
1	31959301	1/4" npt check valve

THE CHECK VALVE SUPPLIED SCREWS INTO THE AIR TANK WITH AN AIR FITTING THREADING INTO IT. THE COMPRESSOR LINE WILL FEED INTO THE CHECK VALVE.



350 S. St. Charles St. Jasper, In. 47546

Ph. 812.482.2932 Fax 812.634.6632

www.ridetech.com

ARC2000 Compressor System Instructions

These are some general guidelines to follow when installing your new RidePro air control system. Depending on the vehicle there are many different ways to plumb the system. Start out by planning a lay out of where you want everything to be mounted. Typically we try to keep the compressor, solenoids, tank, and sending units in a central location, but they can be separated to suit your needs.

Mounting the Compressor/ Pressure Switch

- **Remove the negative battery cable before beginning installation.**
- All of our compressors are sealed for moisture and dust resistance so they can be mounted anywhere on the vehicle. Although it is best to mount it in a place out of direct contact with rain and snow. It is OK to mount it underneath the vehicle but keep it inside the frame rails away from water and debris thrown off the tire.
- This is a dry compressor; therefore it is maintenance free and can be mounted in any position.
- It is best if mounted to something solid to reduce vibration and noise. If mounting it to sheet metal or the bed of a truck, use sound deadening material between the compressor and the mounting surface.
- Use the rubber grommets supplied on the feet of the compressor to reduce vibration.
- Apply thread sealant to the pressure switch and compressor T and screw into the tank.
- One spade of the pressure switch will connect to power the other to the red wire on the compressor.

Mounting the Air Tank

- The air tank can be mounted anywhere on the vehicle in any position.
- If your air system is used frequently you may want to remove the tank once a season to drain any excessive accumulation of water.

Mounting the RidePro Air Valves

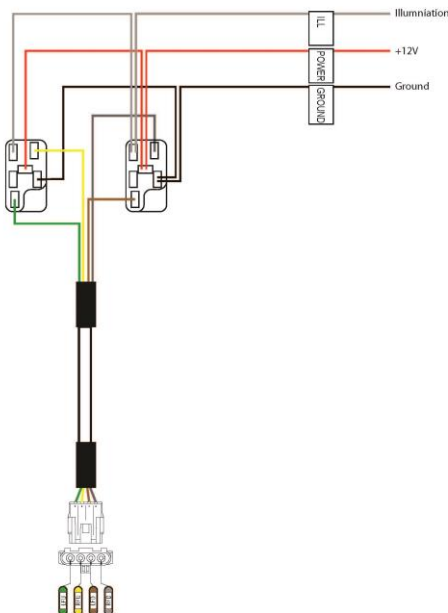
- The valves, like the compressor, are sealed and can be mounted in the same locations. Although if the vehicle will be exposed to freezing temperatures it is a good idea to mount them in the engine bay if possible to reduce the possibility of freezing.
- They can be mounted in any position.
- Mount the valves higher than the tank to avoid moisture build up. This could cause the air pressure sensors to give a faulty reading.
- Attach the ground strap to a good, clean ground (preferably the frame).
- The exhaust port will be left open.
- The valve is held closed with the pressure in the tank. If tank pressure drops below air spring pressure they will equalize deflating all 4 air springs.
-

Wiring Harness

- Red Wire- The red wire on the harness will connect to 12 volt switched.
- Gray Wire- This power for the light in the switch- this wire goes to the light circuit(dash lights) of the vehicle. This wire needs 12 volt when the lights are on or the key is on. The gauge light should be hooked to the same circuit as this wire.
- Black Wire- This wire is ground for the light in the switch. It goes to a good ground.

Routing the Airline and Fittings

- Make all airline cuts with a razor or tubing cutter. It must be clean and straight or it will not seal.
- All fittings are DOT approved push-to-connect style. They are very simple to use and are reusable. Firmly push the airline into the fitting to attach. To release the airline pull the collar on the fitting back towards the fitting and pull the airline out.
- Use thread sealant on all fittings.
- Do not over tighten the fittings. This could result in breaking the fitting or damaging the air spring.
- All of our airlines are DOT approved so they are very strong. But keep them away from any sharp edges. Also when passing through a hole in the frame use a grommet.
- Keep away from intense heat including mufflers and exhaust manifolds.
- Use zip ties or other fasteners to secure the airline.



Illumination (Gray) - This wire provides power to the switch lights. It should be hooked up to a light circuit in the vehicle (dash lights) or it can be hooked up to a 12 volt switched source.

+12V (Red) - This wire is the main power for the valves. It should be hooked up to a 12 volt switched circuit. It needs 12 volt with the key on and should have no power with the key off.

Ground (Black) – This wire provides ground to the switch lights. It should be hooked up to a good ground source.

Note: The Illumination and Ground wires do not have to be hooked up for the switches to work. They do have to be hooked up for the lights in the switches to work.

