



350 S. St. Charles St. Jasper, In. 47546
Ph. 812.482.2932 Fax 812.634.6632

www.ridetech.com

Part # 11382899
99-06 Silverado Front Lower StrongArms
For Use w/ Shockwave or CoilOver

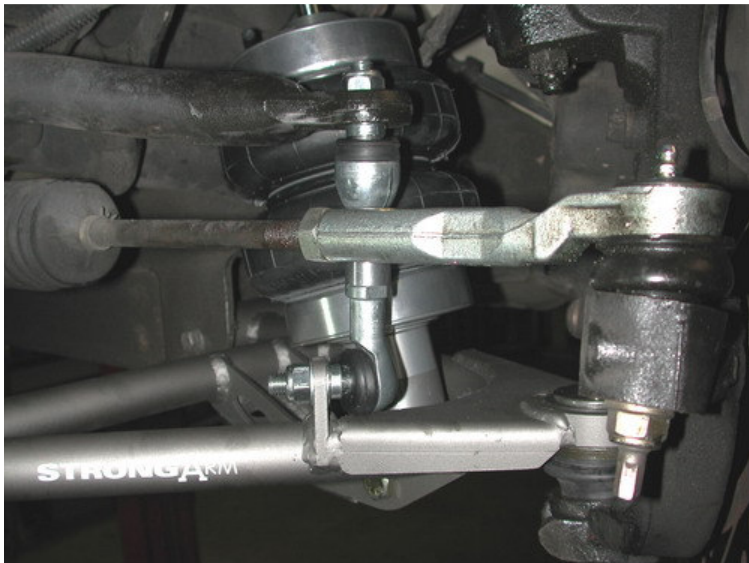
Components:

1	90000106	Driver side lower arm
1	90000107	Passenger side lower arm
2	90000901	Lower ball joint (includes boot, grease fitting, castle nut & cotter pin)
2	90000198	3" inner bushing sleeve
2	90000199	3.5" inner bushing sleeve
8	90001085	Poly bushing half
2	90000921	90 degree 12mm PosiLink
2	90000922	Straight 12mm PosiLink
2	90000095	PosiLink T Bushing
2	90000096	PosiLink Spacer
4	90002062	Aluminum shock spacer
4	99250001	1/4"-28 grease fitting – Use Lithium grease on frame bushings

Hardware Kit:

2	99122003	12mm x 1.75 x 60mm stud	PosiLink (Use Loctite)
4	99122001	12mm x 1.5 Nylok nut	PosiLink
6	99433002	7/16" SAE Gr.8 flat washer	PosiLink
2	99501024	1/2"-13 x 3" Gr. 5 bolt	Shock to lower arm
2	99502001	1/2"-13 Nylok nut	Shock to lower arm

Installation Instructions



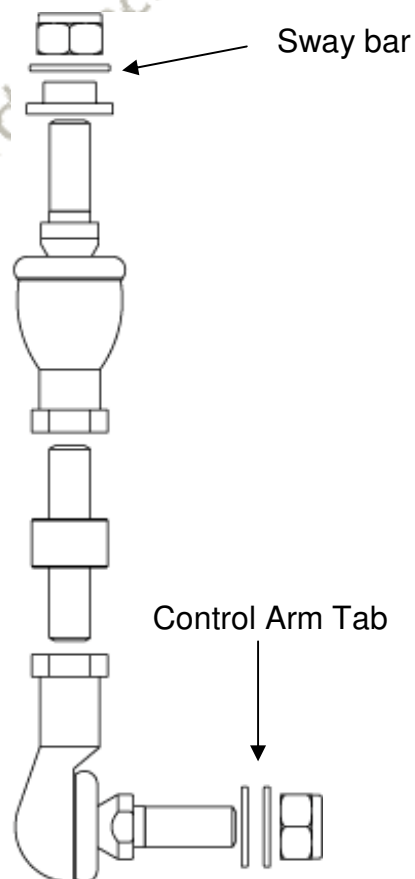
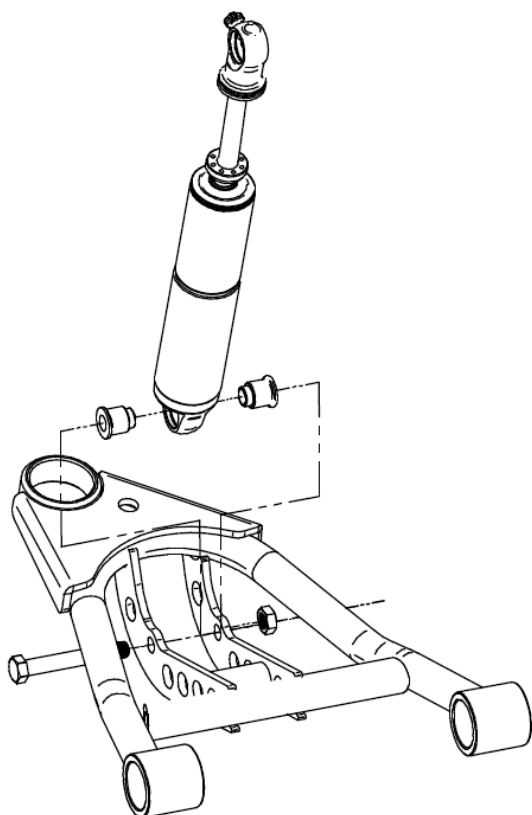
1. After removing the factory lower control arm, clean the bushing mounting surfaces on the frame and lubricate with Lithium grease.

2. Fasten the lower arm to the frame using the factory hardware.

3. Slide the ball joint boot over the stud, then push the stud down through the spindle. Secure w/ the new castle nut and cotter pin supplied.

4. Attach to the shock to the lower arm using the 1/2" x 3" bolt and aluminum spacers supplied.

5. Screw the Zerk fitting into the ball joint and grease.



STRONG ARMS™

by Air Ride Technologies

99-06 Silverado CoolRide Driver Side StrongArm

Item #	Description	Qty.
1.	Driver side arm	1
2.	Inner bushing sleeve – 3”	1
3.	Inner bushing sleeve – 3.5”	1
4.	Poly bushing half	4
5.	Aluminum shock spacer	2
6.	½”-13 Nylok nut	1
7.	½”-13 x 3” Gr. 5 bolt	1
8.	Ball joint	1
9.	90 degree 12mm PosiLink	1
10.	Straight 12mm PosiLink	1
11.	PosiLink T Bushing	1
12.	PosiLink Spacer	1
13.	12mm x 1.75 x 60mm stud	1
14.	7/16” SAE Gr.8 flat washer	3
15.	12mm x 1.5 Nylok nut	1

