



350 S. St. Charles St. Jasper, In. 47546
Ph. 812.482.2932 Fax 812.634.6632
www.ridetech.com

Part # 11222899
64-72 GM "A" Body Front Lower StrongArms
For Use w/ Shockwaves or CoilOvers

Components:

1	90000636	Driver side lower arm
1	90000637	Passenger side lower arm
2	90000898	Ball joint (includes boot, grease fitting, castle nut & cotter pin)
4	90000516	Inner bushing sleeve - .5" I.D. x .75" O.D. x 2.375" long
8	70010759	Delrin bushing half – 1.5" O.D.
4	90002062	Aluminum spacers – shock to lower arm

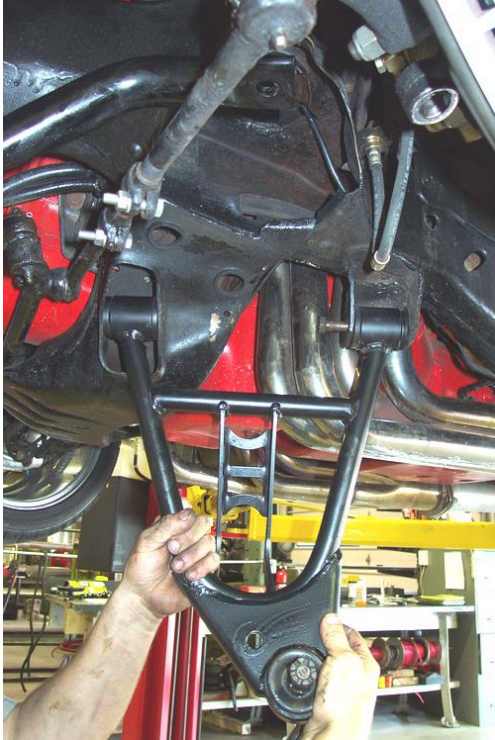
Hardware:

2	99501024	½-13 x 3 ¼" Gr.5 bolt	Shockwave to lower arm
4	99501005	½"-13 x 3 ½" Gr. 5 bolt	Lower arm to frame
6	99502001	½"-13 Nylok nut	Shockwave to lower arm / Lower arm to frame

STRONG ARMS™

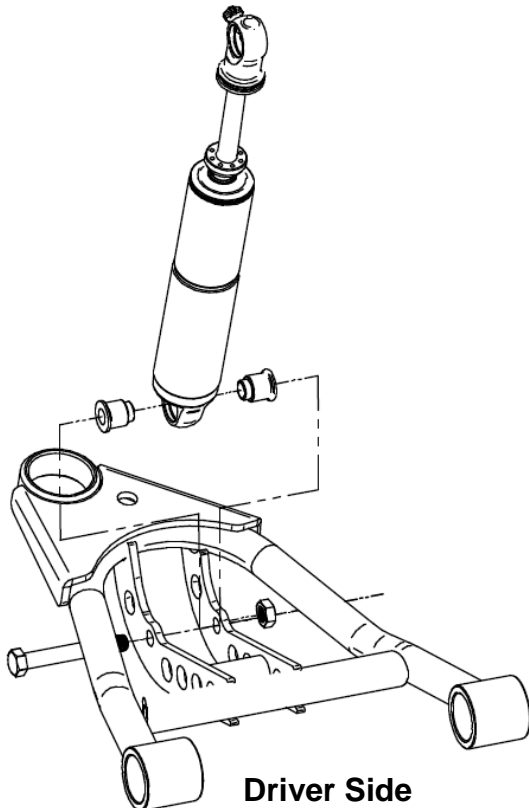
by Air Ride Technologies

Installation Instructions



1. After removing the factory lower control arm, clean the bushing mounting surfaces on the frame and lubricate with lithium grease.
2. Fasten the lower arm to the frame with the $\frac{1}{2}$ " x $3 \frac{1}{2}$ " bolts and Nylok nuts supplied.

Note: On some cars the frame brackets may be pinched and will need to be spread back apart to allow bushing to slide in.



3. Swing the lower StrongArm up to the Shockwave and secure with the $\frac{1}{2}$ " x $3 \frac{1}{4}$ " bolt and Nylok nut, an aluminum spacer must be installed on each side of the bearing.
4. Slide the ball joint boot over the stud, then push the stud up through the spindle. Secure w/ the new castle nut and cotter pin supplied.
5. Grease the ball joints.

STRONG ARMS™

by Air Ride Technologies

Item #	Description	Qty.
1.	Passenger side arm	1
1.	Driver side arm	1
2.	Inner bushing sleeve	4
3.	Delrin bushing half	8
4.	Ball joint	8
5.	1/2"-13 Nylok Nut	6
6.	1/2"-13 x 3 1/4" bolt	2
7.	1/2"-13 x 3 1/2" bolt	4
8.	Aluminum bearing spacer	4

